

CENTRAL FLOOD

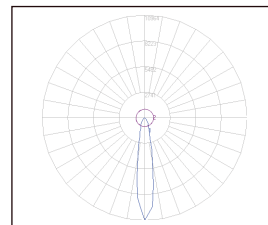


FEATURES

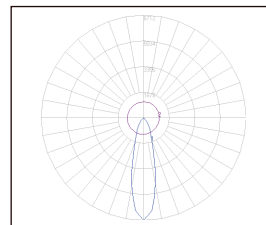
- HIGH PERFORMANCE LEDIL OPTICS
- CREE XPG3 EMITTERS
- CITEL 20KV SURGE PROTECTION
- CLAM SHELL DESIGN
- IP66 RATED
- IK09 RATED
- 3 BODY SIZES (S, M, L)
- (S) 500mm L x 350mm W
- (M) 600mm L x 450mm W
- (L) 700mm L x 500mm W
- AUTO DISCONNECT TERMINAL BLOCK
- WATTAGE RANGE 30w - 300w
- 5 YEAR WARRANTY
- 1 - 10V DIM STANDARD
- OTHER OPTICS ON REQUEST
- SPIGOT SIZE 42-60mm (76mm OPTIONAL)
- PRESSURE EQUALISATION VALVE
- WHITE/BLACK/SILVER/DARK GREY

PART NUMBERS

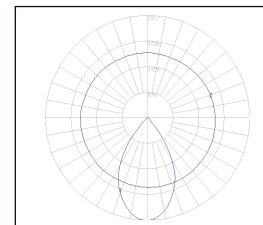
SV-FL2-S-30	30w	9.5kg
SV-FL2-S-60	60w	9.5kg
SV-FL2-S-80	80w	9.5kg
SV-FL2-M-100	100w	18.7kg
SV-FL2-M-150	150w	18.7kg
SV-FL2-L-200	200w	41.0kg
SV-FL2-L-240	240w	41.0kg
SV-FL2-L-300	300w	41.0kg



15 DEGREE



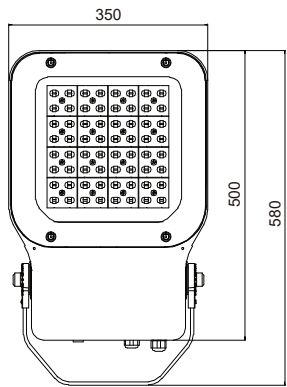
30 DEGREE



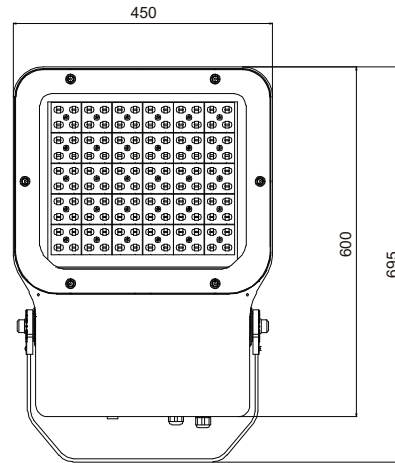
60 DEGREE

CENTRAL FLOOD

S



M



L

