



STREETVISION *PLUS*

EXTERIOR LIGHTING





ESPLANADE



FEATURES

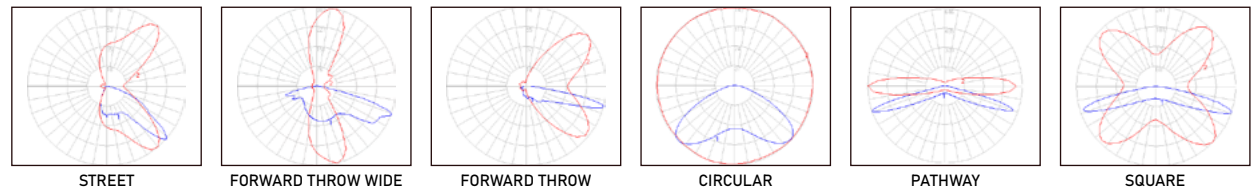
- HIGH PERFORMANCE LEDIL OPTICS
- CREE XPG3 EMITTERS
- CITEL 10KV SURGE PROTECTION
- IP65 RATED
- IK08 RATED
- AUTO DISCONNECT TERMINAL BLOCK
- WATTAGE RANGE 20w - 55w (nominate alternative wattage)
- 5 YEAR WARRANTY
- 1 - 10V DIM STANDARD
- SPIGOT SIZE 76mm (48mm, 60mm OPTIONAL)
- PRESSURE EQUALISATION VALVE
- WHITE/BLACK/SILVER/DARK GREY



PART NUMBERS

SVP-PT1-A-2055-20W	20W	8kg
SVP-PT1-A-2055-55W-HO	55W	8kg
SVP-PT1-A-2055-OTHER	OTHER	8kg

OPTICS

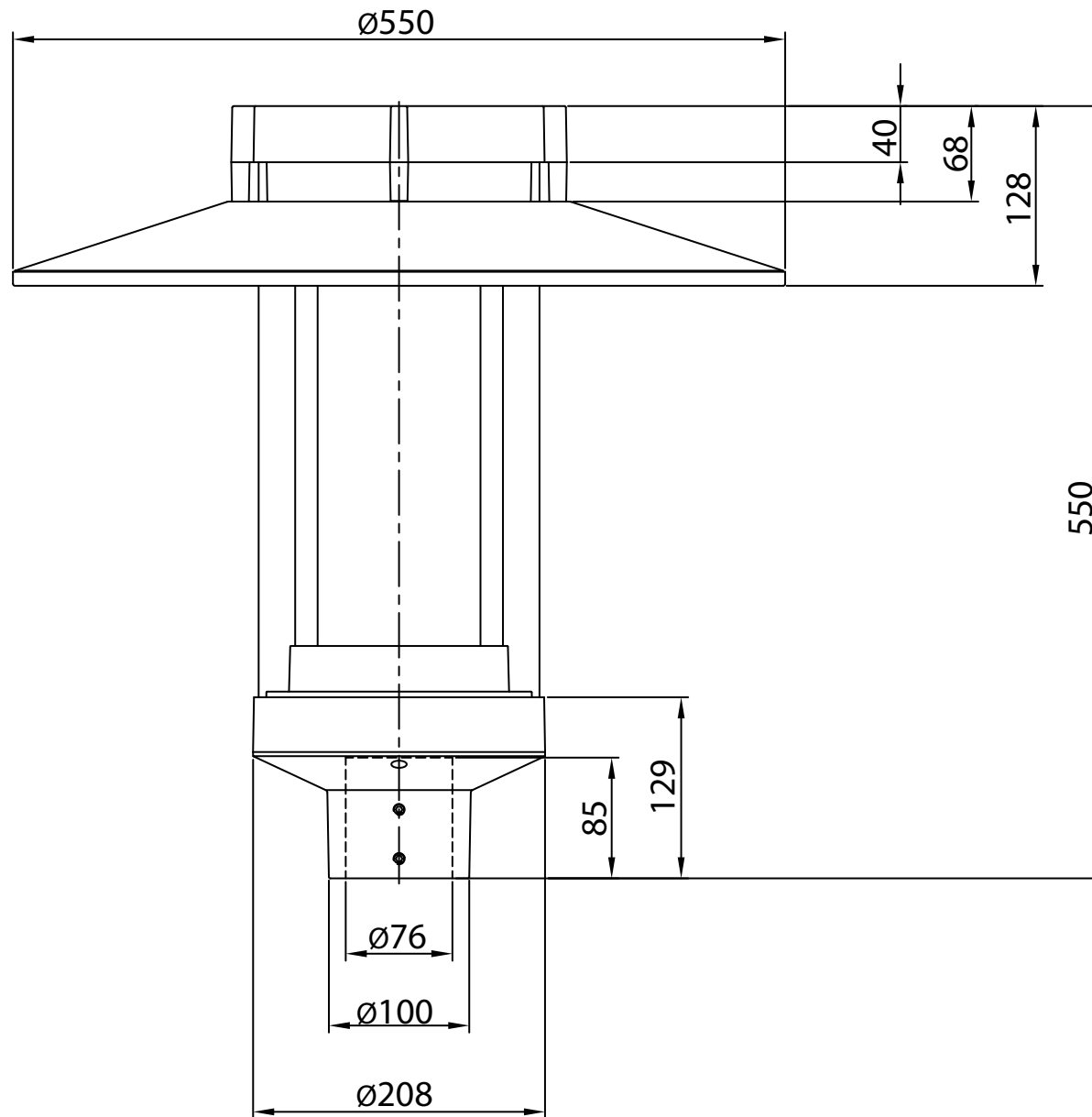


SPECIFICATION

MODEL	SVP-PT1-A-2055			
WATTAGE	20W	55W	OTHER	
OPTICS	STREET	FORWARD THROW WIDE	FORWARD THROW	
C.C.T	3000K		4000K	
COLOUR	WHITE - RAL9010	BLACK - RAL9005	SILVER - RAL9006	DARK GREY - RAL7015
SPIGOT SIZE	76mm (STANDARD)	60mm (OPTIONAL)	48mm (OPTIONAL)	
DRIVER	1-10V DIM (STANDARD)		DALI DIM	

20W/55W LED QTY: 24

ESPLANADE



TERRACE



FEATURES

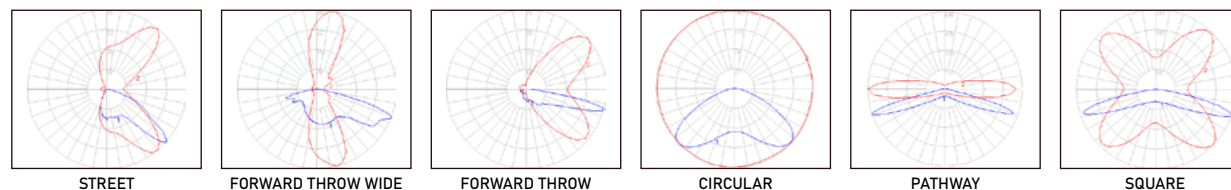
- HIGH PERFORMANCE LEDIL OPTICS
- CREE XPG3 EMITTERS
- CITEL 10KV SURGE PROTECTION
- IP65 RATED
- IK08 RATED
- AUTO DISCONNECT TERMINAL BLOCK
- WATTAGE RANGE 20w - 55w (nominate alternative wattage)
- 5 YEAR WARRANTY
- 1 - 10V DIM STANDARD
- SPIGOT SIZE 76mm (48mm, 60mm OPTIONAL)
- PRESSURE EQUALISATION VALVE
- WHITE/BLACK/SILVER/DARK GREY



PART NUMBERS

SVP-PT1-B-2055-20W	20W	6.2kg
SVP-PT1-B-2055-55W-HO	55W	6.2kg
SVP-PT1-B-2055-OTHER	OTHER	6.2kg

OPTICS

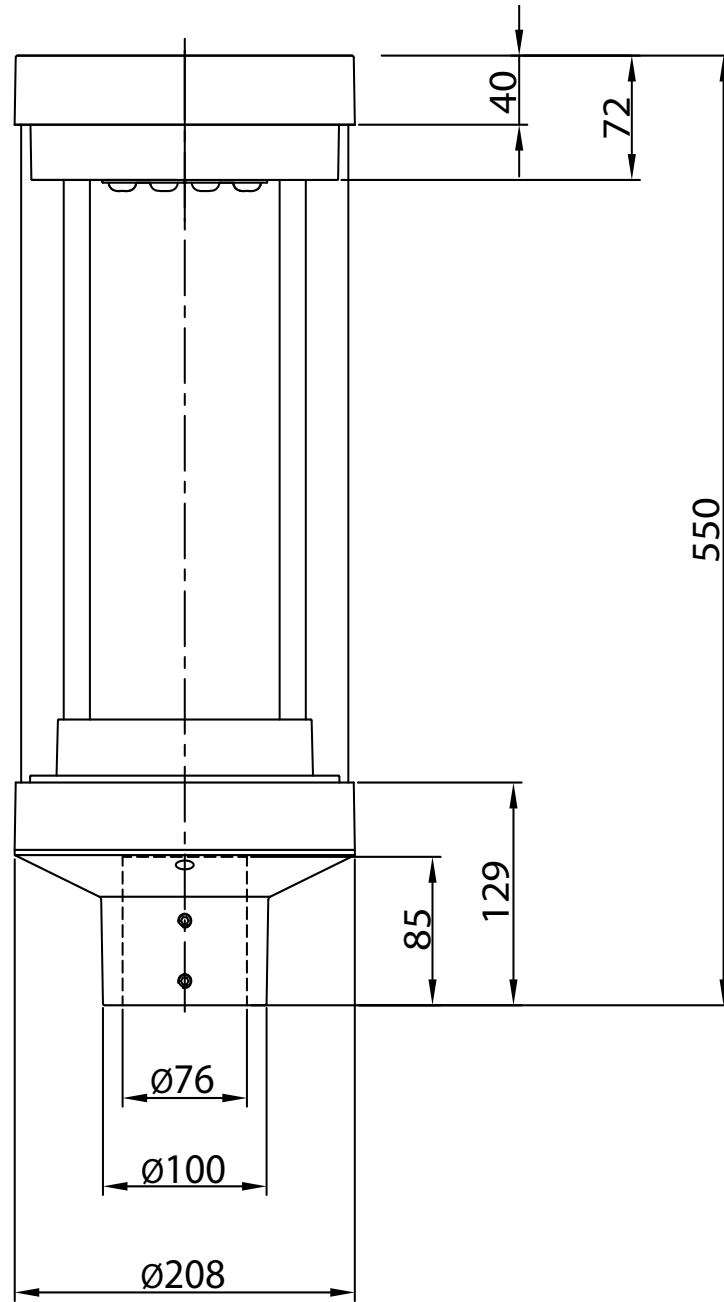


SPECIFICATION

MODEL	SVP-PT1-B-2055			
WATTAGE	20W	55W	OTHER	
OPTICS	STREET	FORWARD THROW WIDE	FORWARD THROW	
C.C.T	3000K		4000K	
COLOR	WHITE - RAL9010	BLACK - RAL9005	SILVER - RAL9006	DARK GREY - RAL7015
SPIGOT SIZE	76mm (STANDARD)	60mm (OPTIONAL)	48mm (OPTIONAL)	
DRIVER	1-10V DIM (STANDARD)		DALI DIM	

20W/55W LED QTY: 24

TERRACE



CORNERSTONE



FEATURES

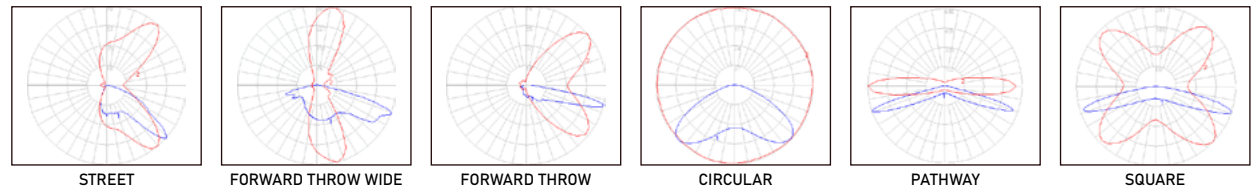
- HIGH PERFORMANCE LEDIL OPTICS
- CREE XPG3 EMITTERS
- CITEL 10KV SURGE PROTECTION
- IP65 RATED
- IK08 RATED
- AUTO DISCONNECT TERMINAL BLOCK
- WATTAGE RANGE 30w - 90w (nominate alternative wattage)
- 5 YEAR WARRANTY
- 1 - 10V DIM STANDARD
- SPIGOT SIZE 60mm (48mm, 76mm OPTIONAL)
- PRESSURE EQUALISATION VALVE
- WHITE/BLACK/SILVER/DARK GREY
- BACKLIGHT SHIELDS AVAILABLE IN 30W & 60W



PART NUMBERS

SVP-PL5-3090-30W	30W	10.3kg
SVP-PL5-3090-60W	60W	10.3kg
SVP-PL5-3090-90W-HO	90w	10.3kg
SVP-PL5-3090-OTHER	OTHER	10.3kg

OPTICS

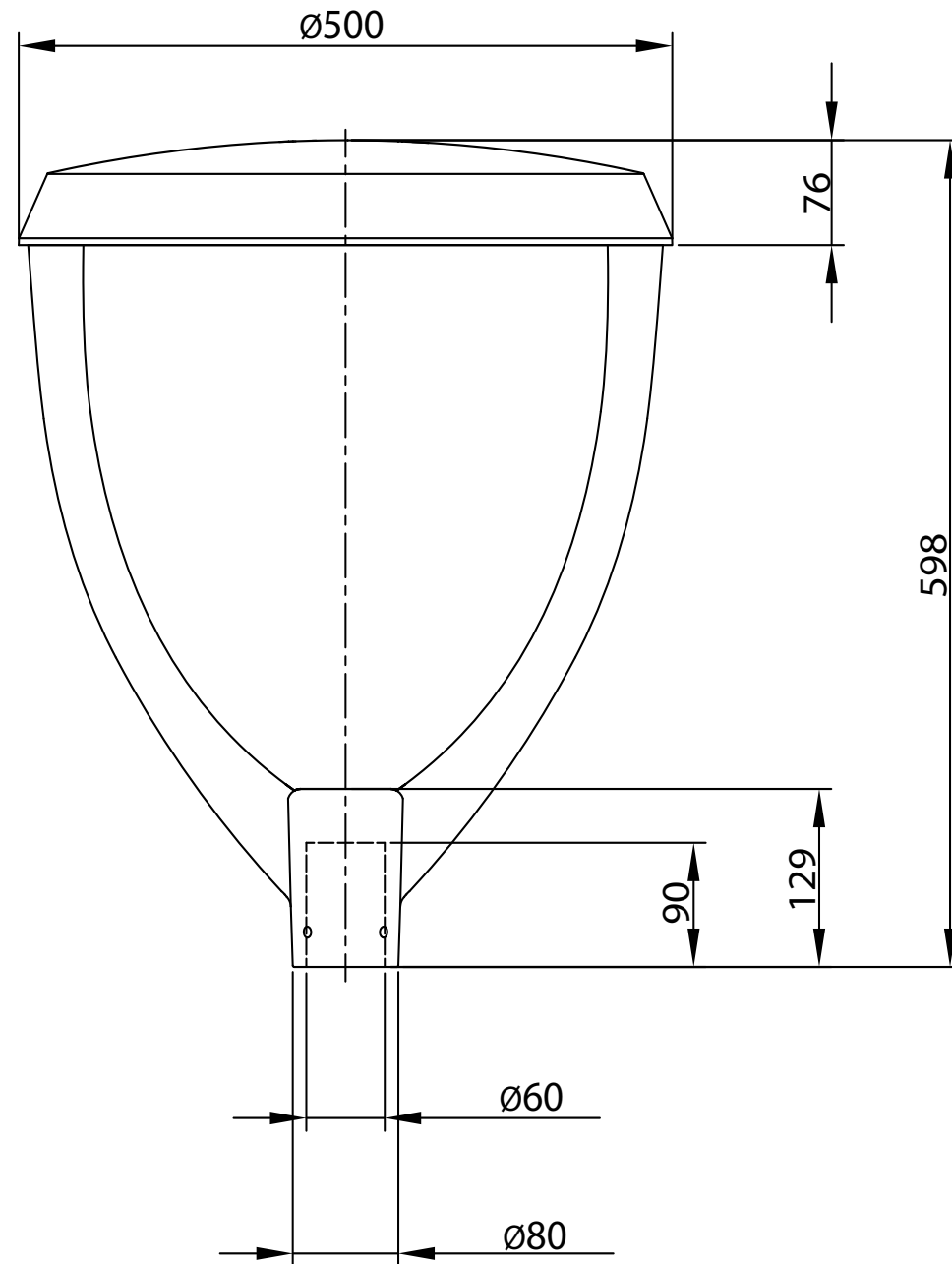


SPECIFICATION

MODEL	SVP-PL5-3090			
WATTAGE	30W	60W	90W	OTHER
OPTICS	STREET		FORWARD THROW WIDE	FORWARD THROW
C.C.T	3000K		4000K	
COLOUR	WHITE - RAL9010	BLACK - RAL9005	SILVER - RAL9006	DARK GREY - RAL7015
SPIGOT SIZE	60mm (STANDARD)		76mm (OPTIONAL)	48mm (OPTIONAL)
DRIVER	1-10V DIM (STANDARD)		DALI DIM	

30W/60W LED QTY: 36 | 90W LED QTY: 48

CORNERSTONE



CROSSROADS



FEATURES

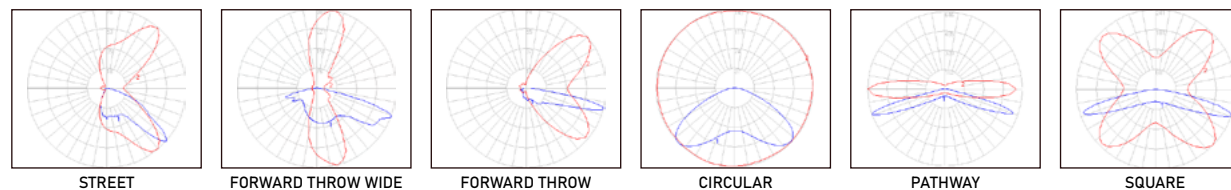
- HIGH PERFORMANCE LEDIL OPTICS
- CREE XPG3 EMITTERS
- CITEL 10KV SURGE PROTECTION
- IP65 RATED
- IK08 RATED
- AUTO DISCONNECT TERMINAL BLOCK
- WATTAGE RANGE 30w - 90w (nominate alternative wattage)
- 5 YEAR WARRANTY
- 1 - 10V DIM STANDARD
- SPIGOT SIZE 60mm (48mm, 76mm OPTIONAL)
- PRESSURE EQUALISATION VALVE
- WHITE/BLACK/SILVER/DARK GREY
- BACKLIGHT SHIELDS AVAILABLE IN 30W



PART NUMBERS

SVP-PL6-3090-30W	30W	10.3kg
SVP-PL6-3090-60W	60W	10.3kg
SVP-PL6-3090-90W-HO	90W	10.3kg
SVP-PL6-3090-OTHER	OTHER	10.3kg

OPTICS

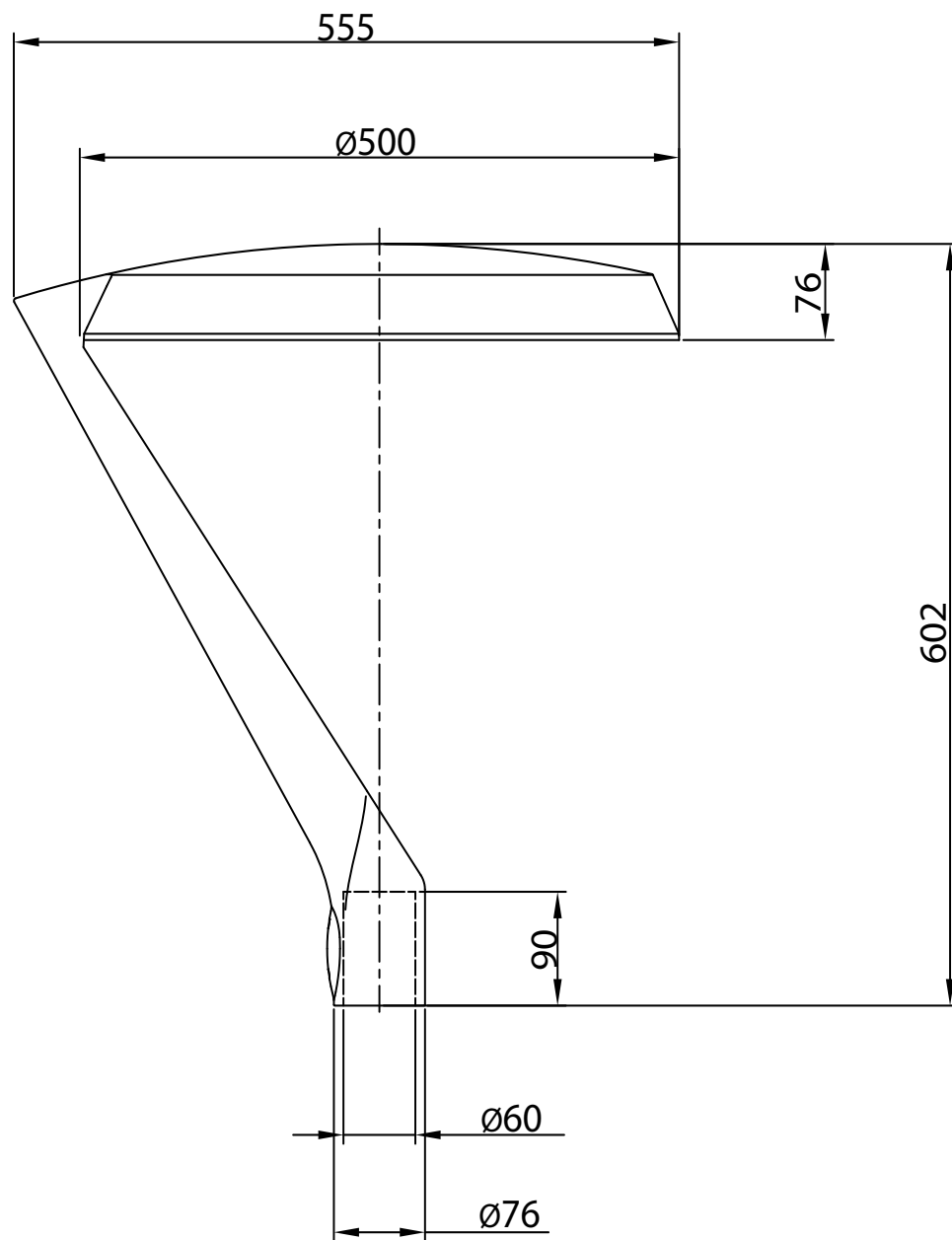


SPECIFICATION

MODEL	SVP-PL6-3090			
WATTAGE	30W	60W	90W	OTHER
OPTICS	STREET		FORWARD THROW WIDE	FORWARD THROW
C.C.T	3000K		4000K	
COLOUR	WHITE - RAL9010	BLACK - RAL9005	SILVER - RAL9006	DARK GREY - RAL7015
SPIGOT SIZE	60mm (STANDARD)		76mm (OPTIONAL)	48mm (OPTIONAL)
DRIVER	1-10V DIM (STANDARD)		DALI DIM	

30W/60W LED QTY: 36 | 90W LED QTY: 48

CROSSROADS



HARBOUR



FEATURES

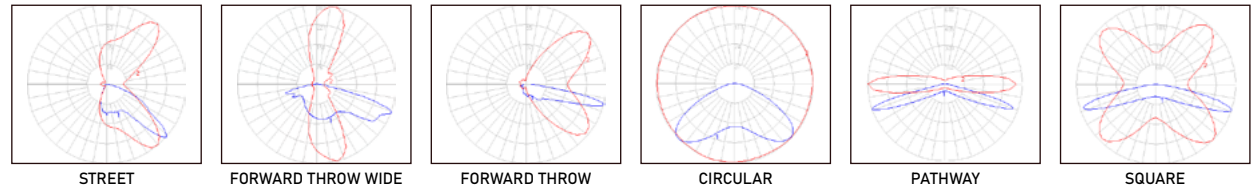
- HIGH PERFORMANCE LEDIL OPTICS
- CREE XPG3 EMITTERS
- CITEL 10KV SURGE PROTECTION
- IP65 RATED
- IK08 RATED
- AUTO DISCONNECT TERMINAL BLOCK
- WATTAGE RANGE 30w - 55w (nominate alternative wattage)
- 5 YEAR WARRANTY
- 1 - 10V DIM STANDARD
- SPIGOT SIZE 76mm (48mm, 60mm OPTIONAL)
- PRESSURE EQUALISATION VALVE
- WHITE/BLACK/SILVER/DARK GREY



PART NUMBERS

SVP-PL7-3055-30W	30W	16.2kg
SVP-PL7-3055-55W-HO	55W	16.2kg
SVP-PL7-3055-OTHER	OTHER	16.2kg

OPTICS

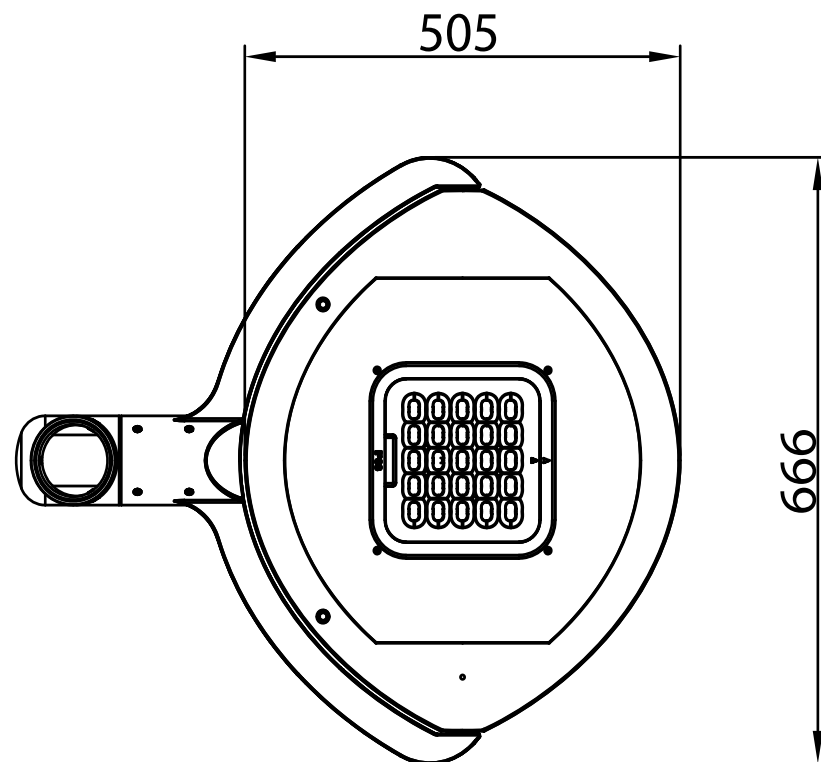
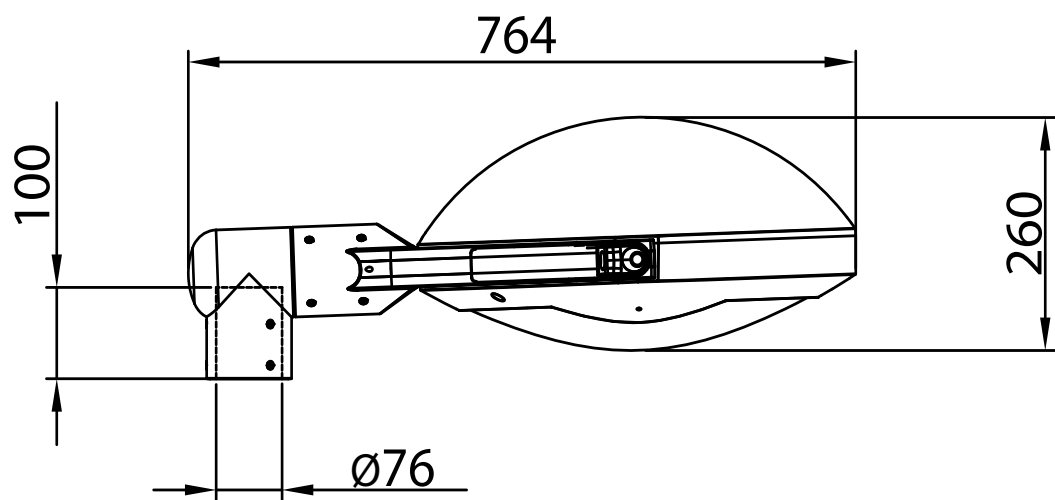


SPECIFICATION

MODEL	SVP-PL7-3055		
WATTAGE	30W	55W	OTHER
OPTICS	STREET	FORWARD THROW WIDE	FORWARD THROW
C.C.T	3000K		4000K
COLOUR	WHITE - RAL9010	BLACK - RAL9005	SILVER - RAL9006 DARK GREY - RAL7015
SPIGOT SIZE	76mm (STANDARD)	60mm (OPTIONAL)	48mm (OPTIONAL)
DRIVER	1-10V DIM (STANDARD)		DALI DIM

30W/55W LED QTY: 24

HARBOUR



COURTYARD



FEATURES

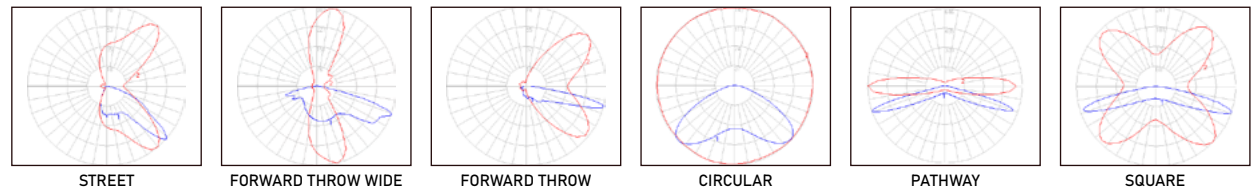
- HIGH PERFORMANCE LEDIL OPTICS
- CREE XPG3 EMITTERS
- CITEL 10KV SURGE PROTECTION
- IP65 RATED
- IK08 RATED
- AUTO DISCONNECT TERMINAL BLOCK
- WATTAGE RANGE 30w - 70w (nominate alternative wattage)
- 5 YEAR WARRANTY
- 1 - 10V DIM STANDARD
- SPIGOT SIZE 76mm (48mm, 60mm OPTIONAL)
- PRESSURE EQUALISATION VALVE
- WHITE/BLACK/SILVER/DARK GREY



PART NUMBERS

SVP-PL10-3070-30W	30W	7.5kg
SVP-PL10-3070-70W-HO	70W	7.5kg
SVP-PL10-3070-OTHER	OTHER	7.5kg

OPTICS

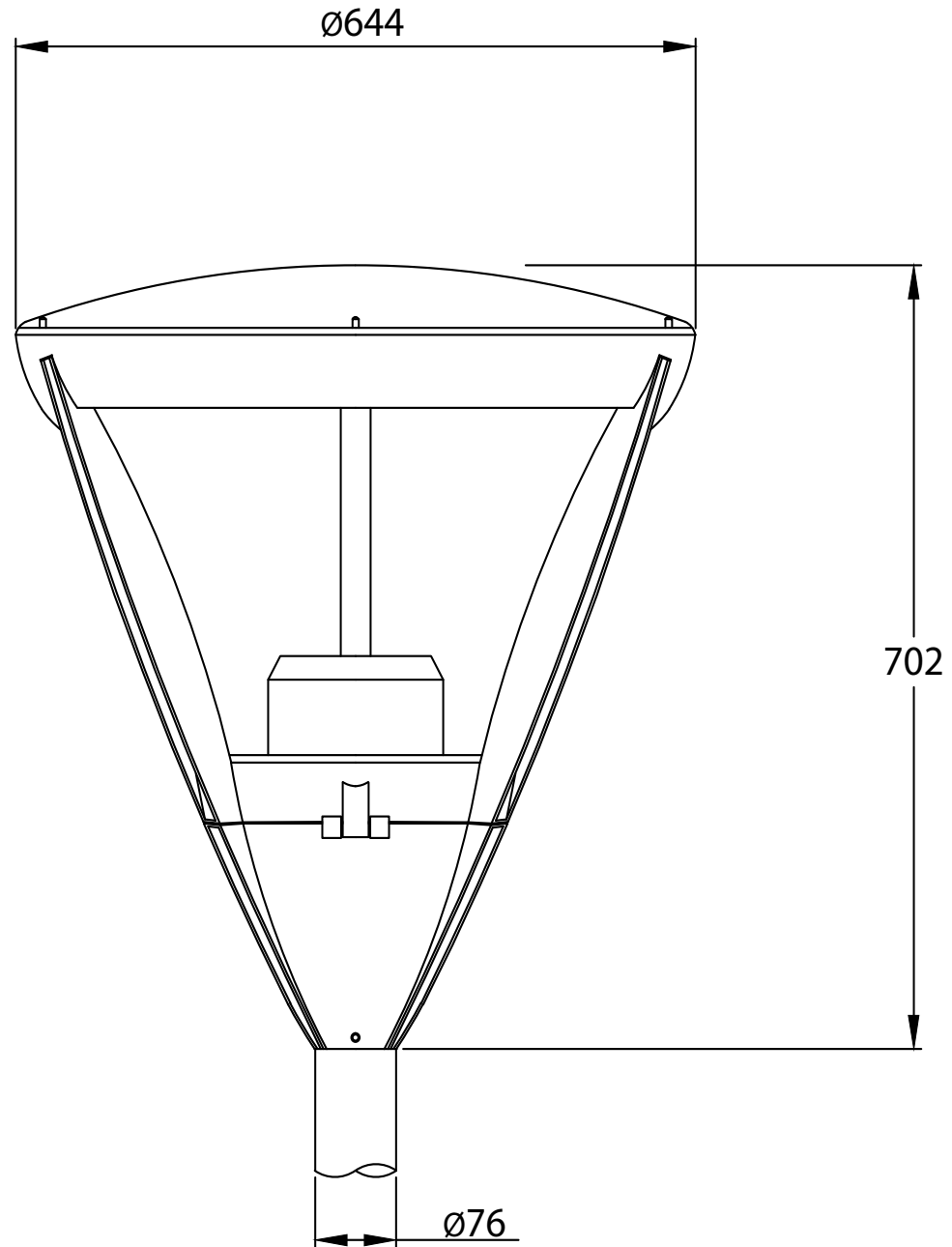


SPECIFICATION

MODEL	SVP-PL10-3070			
WATTAGE	30W	70W	OTHER	
OPTICS	STREET	FORWARD THROW WIDE	FORWARD THROW	
C.C.T	3000K		4000K	
COLOUR	WHITE - RAL9010	BLACK - RAL9005	SILVER - RAL9006	DARK GREY - RAL7015
SPIGOT SIZE	76mm (STANDARD)	60mm (OPTIONAL)	48mm (OPTIONAL)	
DRIVER	1-10V DIM (STANDARD)		DALI DIM	

30W/70W LED QTY: 32

COURTYARD



BOULEVARD



FEATURES

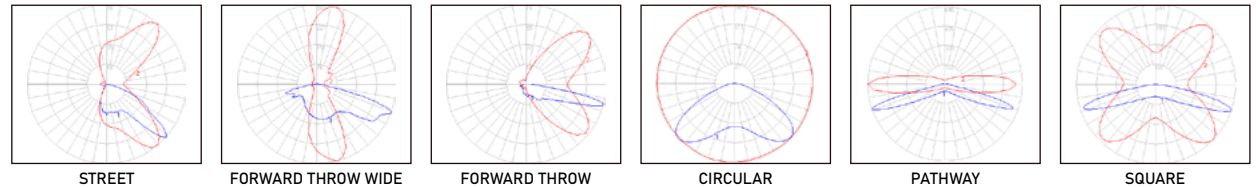
- HIGH PERFORMANCE LEDIL OPTICS
- CREE XPG3 EMITTERS
- CITEL 10KV SURGE PROTECTION
- IP65 RATED
- IK08 RATED
- AUTO DISCONNECT TERMINAL BLOCK
- WATTAGE RANGE 30w - 55w (nominate alternative wattage)
- 5 YEAR WARRANTY
- 1 - 10V DIM STANDARD
- PRESSURE EQUALISATION VALVE
- WHITE/BLACK/SILVER/DARK GREY



PART NUMBERS

SVP-SL4-S-3055-30W	30W	6.5kg
SVP-SL4-S-3055-55W-HO	55W	6.5kg
SVP-SL4-S-3055-OTHER	OTHER	6.5kg

OPTICS

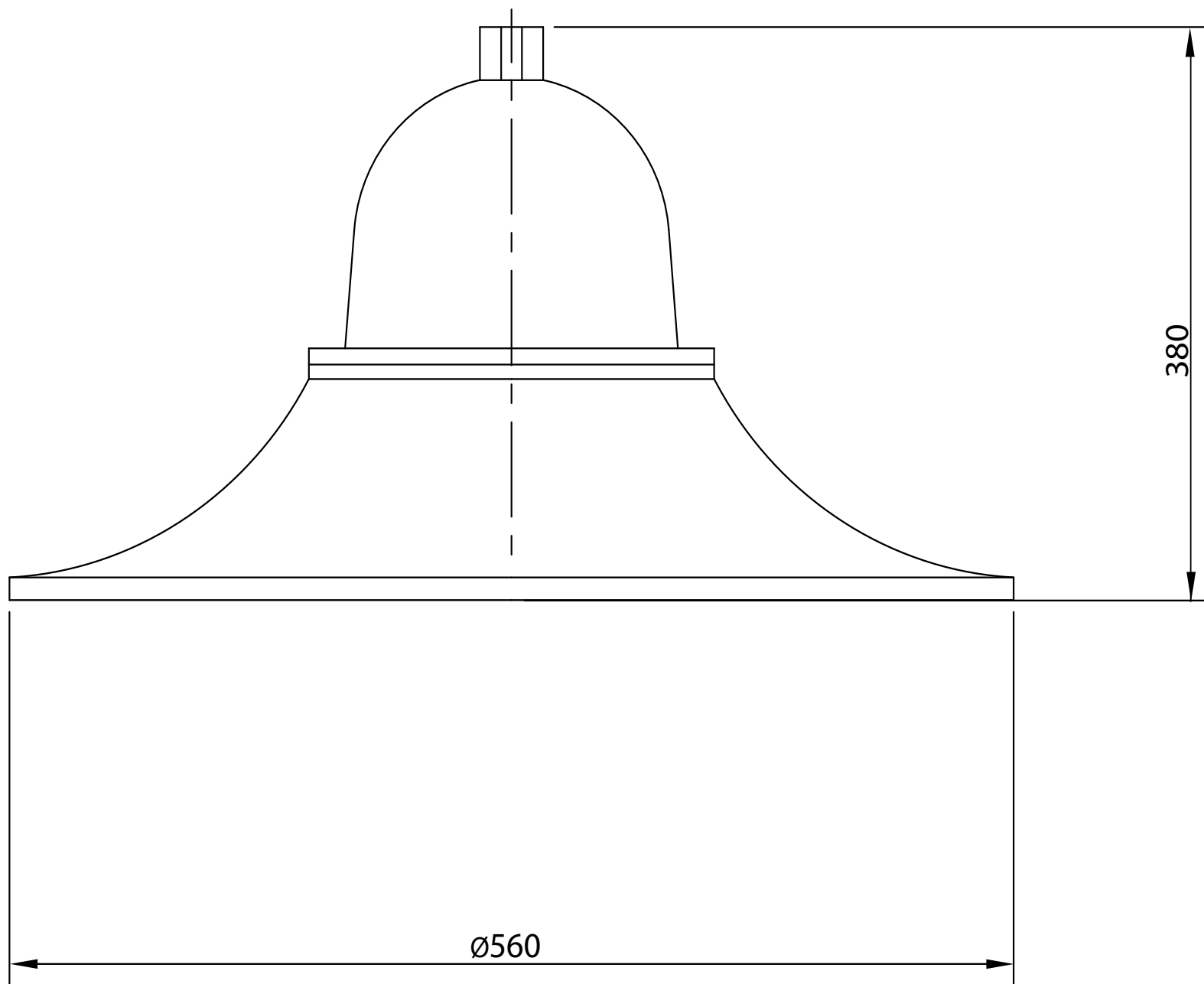


SPECIFICATION

MODEL	SVP-SL4-3055			
WATTAGE	30W	55W		OTHER
OPTICS	STREET	FORWARD THROW WIDE		FORWARD THROW
C.C.T	3000K			4000K
COLOUR	WHITE - RAL9010	BLACK - RAL9005	SILVER - RAL9006	DARK GREY - RAL7015
DRIVER	1-10V DIM (STANDARD)			DALI DIM

30W/55W LED QTY: 24

BOULEVARD



SMALL PROMENADE



FEATURES

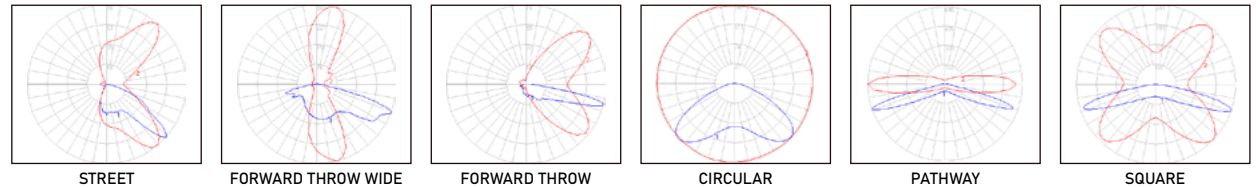
- HIGH PERFORMANCE LEDIL OPTICS
- CREE XPG3 EMITTERS
- CITEL 10KV SURGE PROTECTION
- IP65 RATED
- IK08 RATED
- AUTO DISCONNECT TERMINAL BLOCK
- WATTAGE RANGE 30w - 55w (nominate alternative wattage)
- 5 YEAR WARRANTY
- 1 - 10V DIM STANDARD
- SPIGOT SIZE 48mm (60mm, 76mm OPTIONAL)
- PRESSURE EQUALISATION VALVE
- WHITE/BLACK/SILVER/DARK GREY



PART NUMBERS

SVP-PL7-3055-30W	30W	7kg
SVP-PL7-3055-55W-HO	55W	7kg
SVP-PL7-3055-OTHER	OTHER	7kg

OPTICS

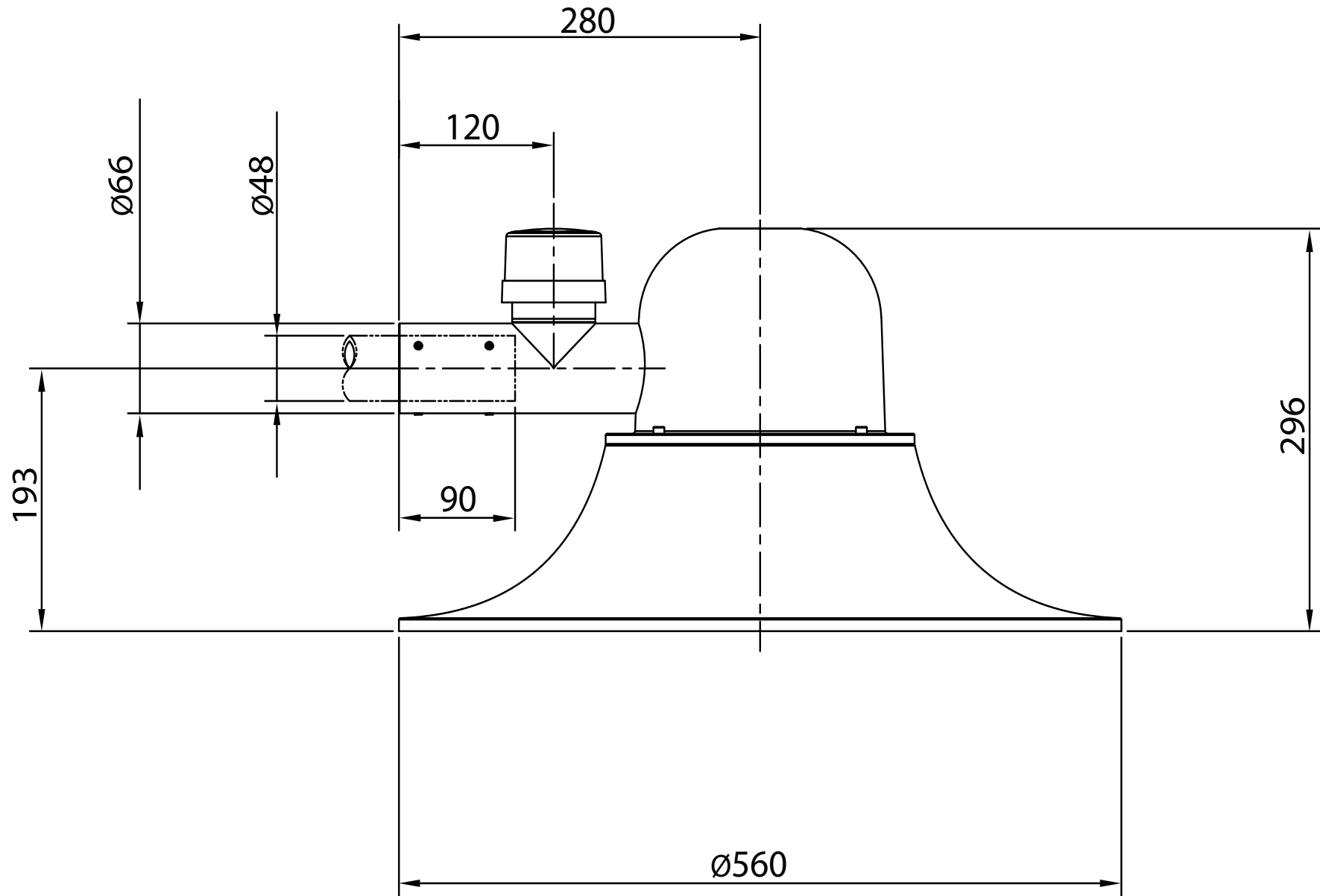


SPECIFICATION

MODEL	SVP-PL7-3055			
WATTAGE	30W	55W	OTHER	
OPTICS	STREET	FORWARD THROW WIDE	FORWARD THROW	
C.C.T	3000K		4000K	
COLOUR	WHITE - RAL9010	BLACK - RAL9005	SILVER - RAL9006	DARK GREY - RAL7015
SPIGOT SIZE	48mm (STANDARD)	60mm (OPTIONAL)	76mm (OPTIONAL)	
DRIVER	1-10V DIM (STANDARD)		DALI DIM	

30W/55W LED QTY: 24

SMALL PROMENADE



WATERSIDE



FEATURES

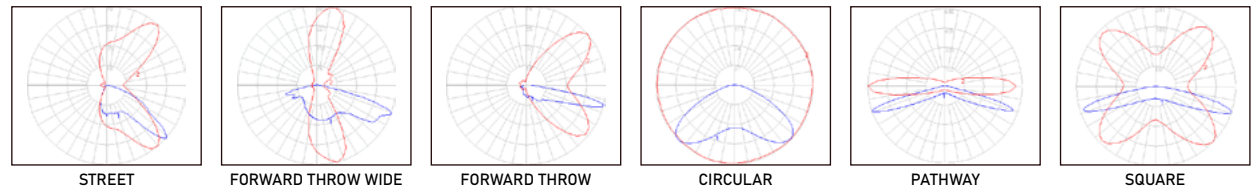
- HIGH PERFORMANCE LEDIL OPTICS
- CREE XPG3 EMITTERS
- CITEL 10KV SURGE PROTECTION
- IP65 RATED
- IK08 RATED
- AUTO DISCONNECT TERMINAL BLOCK
- WATTAGE RANGE 30w - 90w (nominate alternative wattage)
- 5 YEAR WARRANTY
- 1 - 10V DIM STANDARD
- SPIGOT SIZE 48/60mm (76mm OPTIONAL)
- PRESSURE EQUALISATION VALVE
- WHITE/BLACK/SILVER/DARK GREY



PART NUMBERS

SVP-AL4-3090-30W	30W	10.3kg
SVP-AL4-3090-60W	60W	10.3kg
SVP-AL4-3090-90W-HO	90W	10.3kg
SVP-AL4-3090-OTHER	OTHER	10.3kg

OPTICS

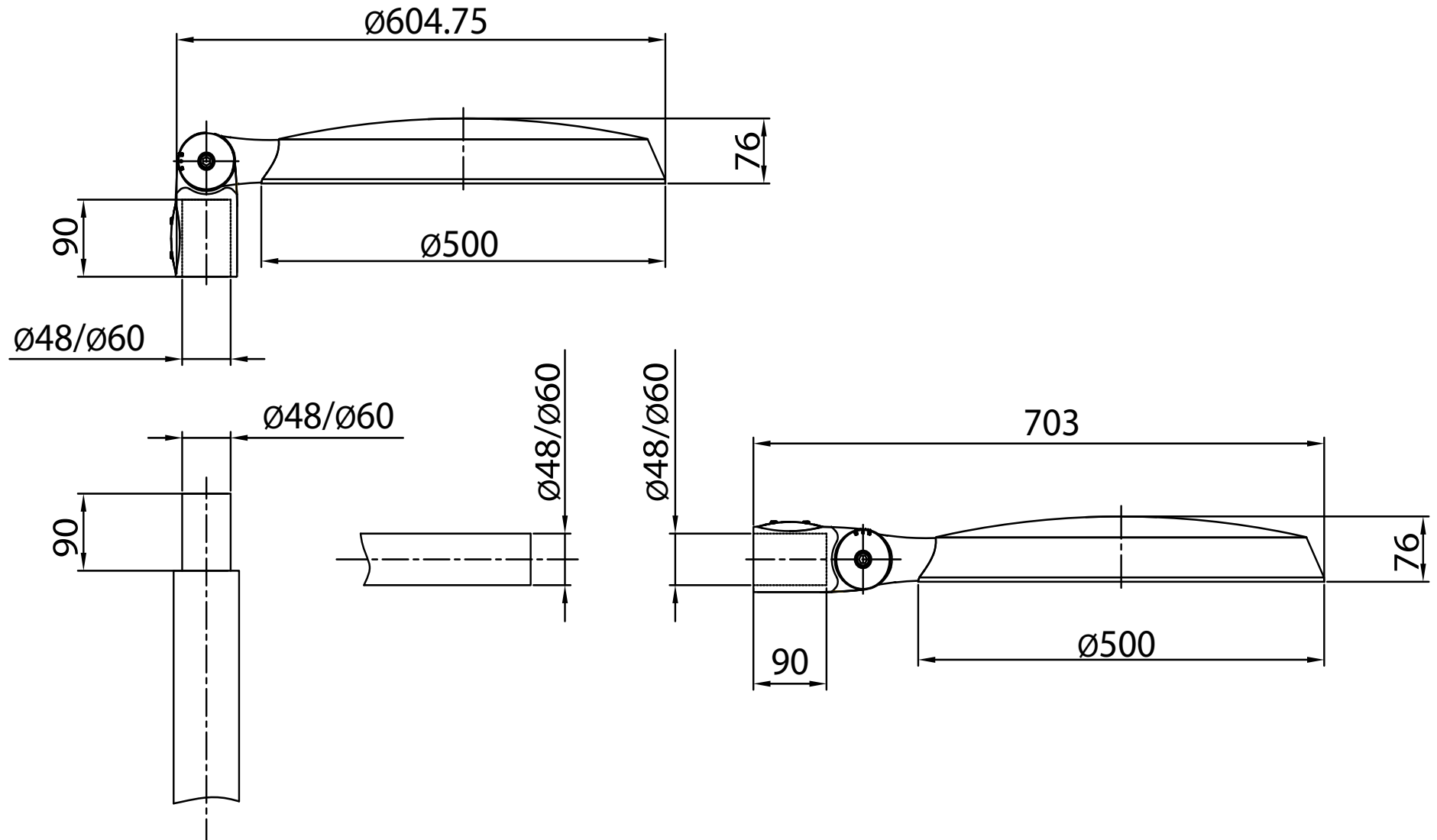


SPECIFICATION

MODEL	SVP-AL4-3090			
WATTAGE	30W	60W	90W	OTHER
OPTICS	STREET		FORWARD THROW WIDE	FORWARD THROW
C.C.T	3000K		4000K	
COLOUR	WHITE - RAL9010	BLACK - RAL9005	SILVER - RAL9006	DARK GREY - RAL7015
SPIGOT SIZE	48mm (STANDARD)		60mm (STANDARD)	76mm (OPTIONAL)
DRIVER	1-10V DIM (STANDARD)		DALI DIM	

30W/60W LED QTY: 36 | 90W LED QTY: 48

WATERSIDE





FEATURES

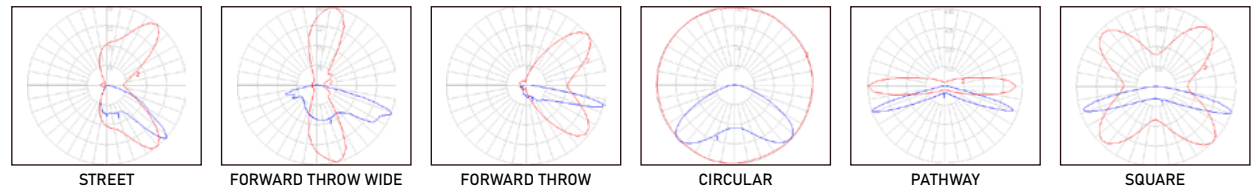
- HIGH PERFORMANCE LEDIL OPTICS
- CREE XPG3 EMITTERS
- CITEL 10KV SURGE PROTECTION
- IP66 RATED
- IK08 RATED
- AUTO DISCONNECT TERMINAL BLOCK
- WATTAGE RANGE 30w - 180w (nominate alternative wattage)
- 5 YEAR WARRANTY
- 1 - 10V DIM STANDARD
- SPIGOT SIZE 48/60mm (76mm OPTIONAL)
- PRESSURE EQUALISATION VALVE
- WHITE/BLACK/SILVER/DARK GREY
- BACKLIGHT SHIELDS AVAILABLE



PART NUMBERS

SVP-SL6-S-30W	30W	5kg	SVP-SL6-L-80180-80W	80W	10kg
SVP-SL6-M-3060-30W	30W	7kg	SVP-SL6-L-80180-135W	135W	10kg
SVP-SL6-M-3060-60W-HO	60W	7kg	SVP-SL6-L-80180-180W-HO	180W	10kg
SVP-SL6-M-3060-OTHER	OTHER	7kg	SVP-SL6-L-80180-OTHER	OTHER	10kg

OPTICS



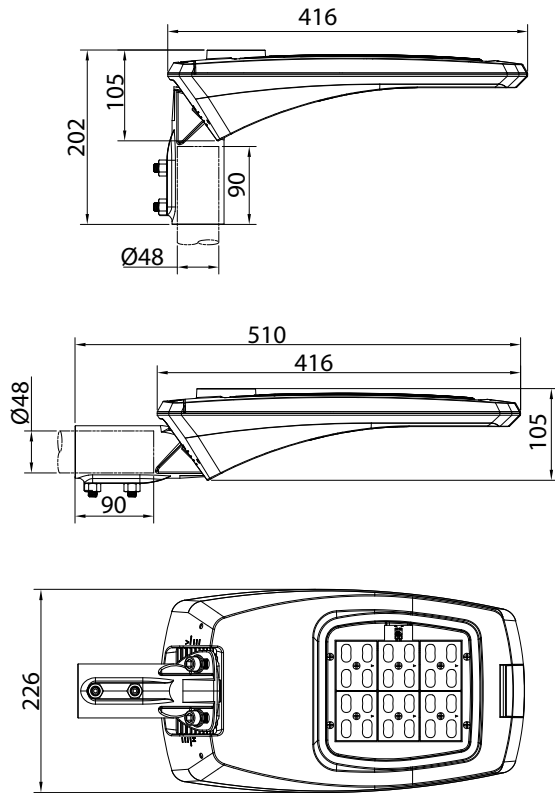
SPECIFICATION

MODEL	SVP-SL6-S / SVP-SL6-M-3060 / SVP-SL6-L-80180					
WATTAGE	30W	60W	80W	135W	180W	OTHER
OPTICS	STREET		FORWARD THROW WIDE		FORWARD THROW	
C.C.T	3000K			4000K		
COLOUR	WHITE - RAL9010		BLACK - RAL9005	SILVER - RAL9006		DARK GREY - RAL7015
SPIGOT SIZE	48mm (STANDARD)		60mm (STANDARD)		76mm (OPTIONAL)	
DRIVER	1-10V DIM (STANDARD)			DALI DIM		

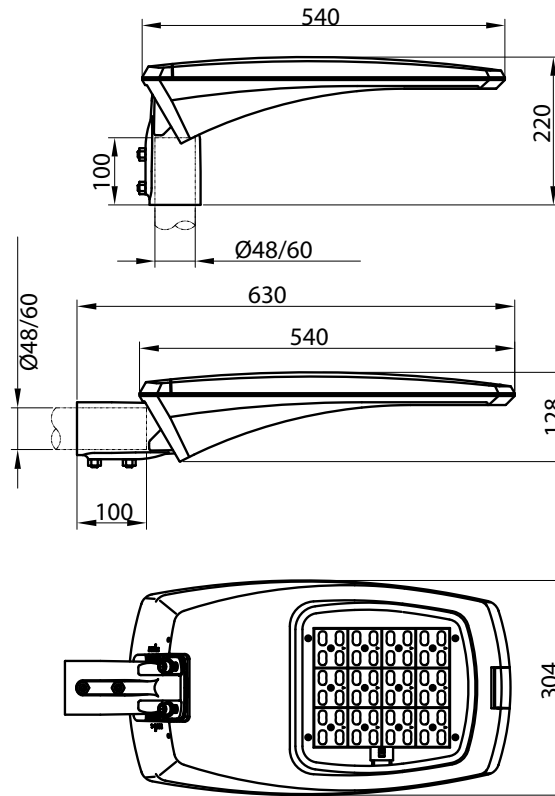
30W LED QTY: 24 | 60W LED QTY: 36 | 80W LED QTY: 56 | 135W/180W LED QTY: 80

UPTOWN

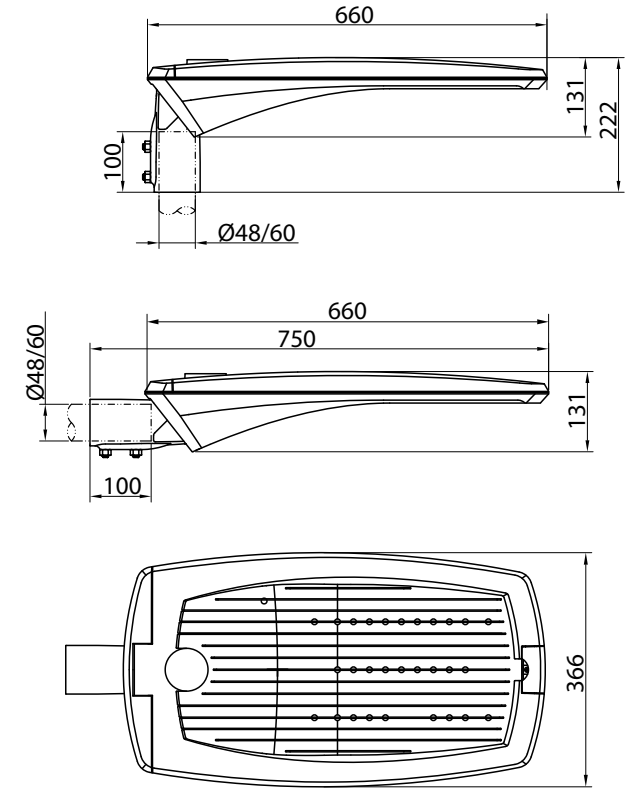
SMALL 30W



MEDIUM 30-60W



LARGE 80-180W



UPTOWN SOLAR



FEATURES

- HIGH PERFORMANCE OPTICS
- CREE XPG3 EMITTERS
- CITEL 10KV SURGE PROTECTION
- IP66 RATED
- IK08 RATED
- AUTO DISCONNECT TERMINAL BLOCK
- WATTAGE RANGE 40w - 60w (nominate alternative wattage)
- 1 - 10V DIM STANDARD
- SPIGOT SIZE 70mm (48mm, 60mm OPTIONAL)
- PRESSURE EQUALISATION VALVE
- WHITE/BLACK/SILVER/DARK GREY

WARRANTIES

- FIXTURE: 5 YEARS
- SOLAR PANEL: 5 YEARS
- BATTERY: 3 YEARS
- CONTROLLER: 3 YEARS
- SUPPORT FRAME: 10 YEARS
- *SUBJECT TO CONDITIONS

SOLAR PANEL & BATTERY

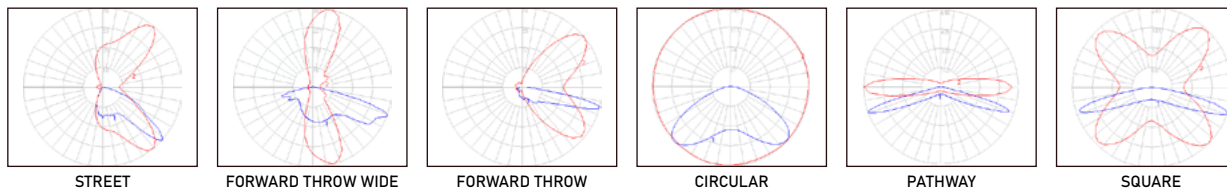
- SOLAR PANEL: 12V 80W
- BATTERY: 12V 35AH
- TILT 0-45 DEGREES
- ROTATION 360 DEGREES



PART NUMBERS

SVP-SP2-4060-40W	40W	23.7kg
SVP-SP2-4060-60W-HO	60W	23.7kg
SVP-SP2-4060-OTHER	OTHER	23.7kg

OPTICS

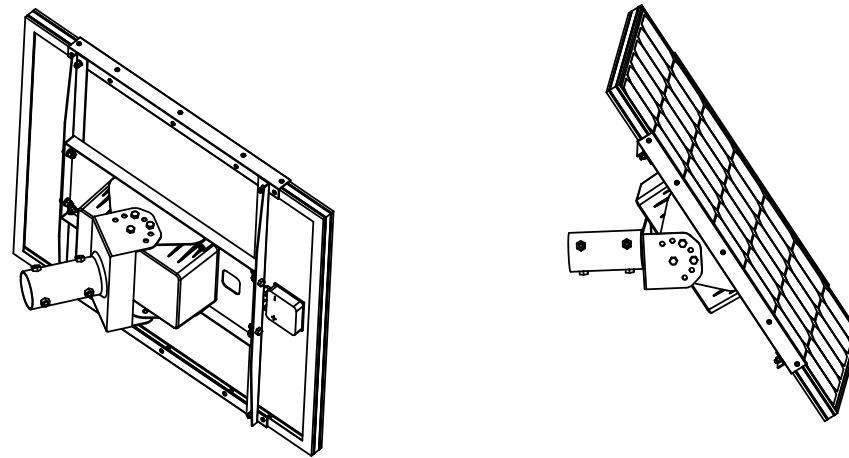
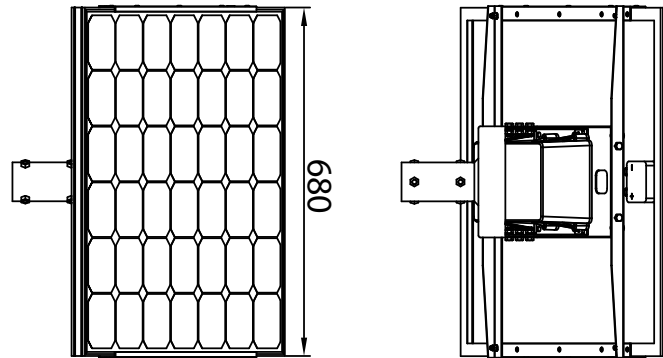
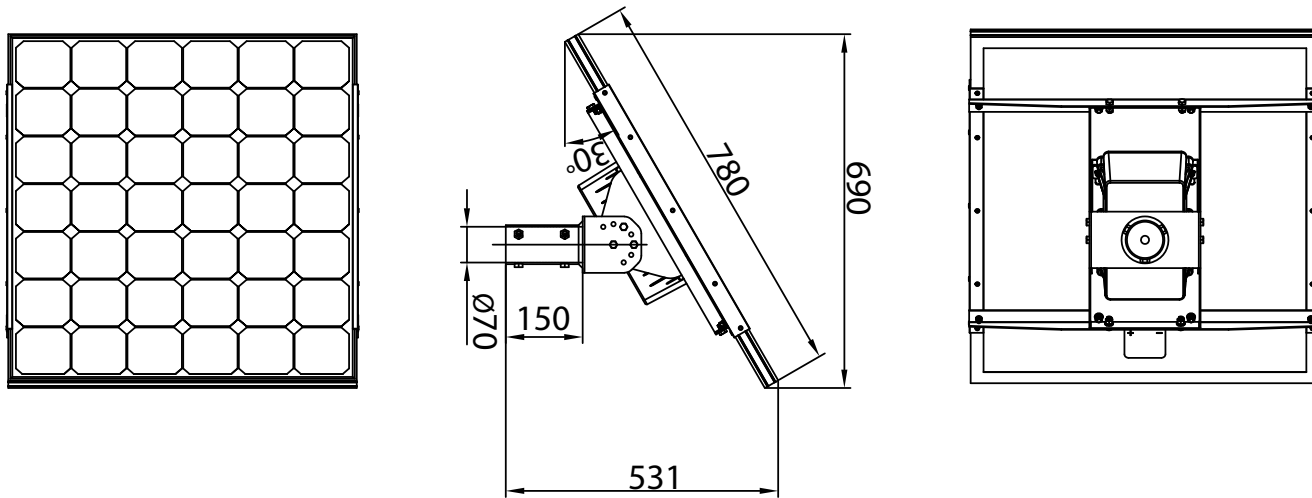


SPECIFICATION

MODEL	SVP-SP2-4060			
WATTAGE	40W	60W	OTHER	
OPTICS	STREET	FORWARD THROW WIDE	FORWARD THROW	
C.C.T	3000K		4000K	
COLOUR	WHITE - RAL9010	BLACK - RAL9005	SILVER - RAL9006	DARK GREY - RAL7015
SPIGOT SIZE	70mm (STANDARD)	48mm (OPTIONAL)	60mm (OPTIONAL)	
DRIVER	1-10V DIM (STANDARD)		DALI DIM	

40W/60W LED QTY: 48

UPTOWN SOLAR



**Indicative set up only*



SALES@LPEGROUP.COM.AU

WWW.LPEGROUP.COM.AU

STREETVISION *PLUS*

EXTERIOR LIGHTING