

AR111 LED Lamp



AR111 is an exceptionally high performance LED lamp built to last. It is a premium quality solid state lighting product precisely engineered and manufactured with state of the art technologies and materials.

Proprietary driving circuit enables AR111 to replace traditional incandescent/halogen lamp, up to 75 Watt, directly without additional modification or transformer.

- Solid State Lighting Technology
- Decrease Energy Consumption
- Reduce CO₂ Emission
- Superior Quality Light
- Ecologically Friendly
- Built to Last
- 3 Year Limited Warranty

Table of Contents

• Dimensions.....	2
• Absolute Maximum Rating.....	2
• Specifications.....	2
• Illuminance and Beam Angles.....	3
• Light Patterns.....	3
• Lifetime.....	4
• Application Notes.....	4

Dimensions

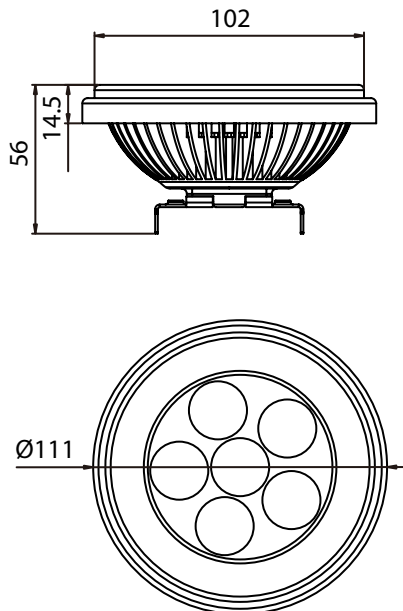


Figure 1: AR111 dimensions

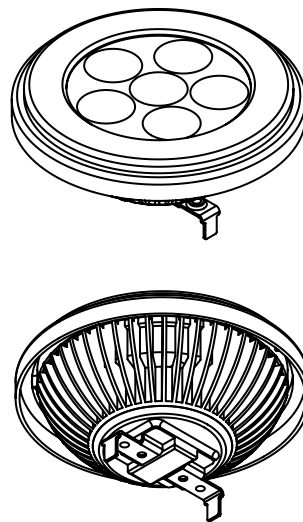


Figure 2: AR111 dimensions

Unit: mm
Tolerance: ±2.5 mm

Absolute Maximum Rating

Parameter	Rating	Units
LED Junction Temperature	125	°C
Plastic Housing Temperature	80	°C
Operating Temperature	-30 ~ +40	°C
Storage Temperature	-40 ~ +60	°C
Equilibrium Temperature	55	°C

Table 1: AR111 LED Lamp absolute maximum rating

Specifications

AR111 LED Lamp	
Power Consumption	10 Watt
Field Angle	25° / 40°
Color Temperature	3000 / 4000 / 6000K
CRI	75 / 90
Surface Temperature	60°C
Weight	215g
Input Voltage	AC / DC 12V

Table 2: AR111 Lamp specifications

Illuminance and Beam Angles

• Cool White

Power Consumption	Part Number	CCT(Typ.)	Cone Beam Angle	Lux*@ 1m (Typ.)
10W	LB-AR111-102100	6000K	25°±2.5°	3700
	LB-AR111-104100		40°±1.5°	1900

• Neutral White

Power Consumption	Part Number	CCT(Typ.)	Cone Beam Angle	Lux*@ 1m (Typ.)
10W	LB-AR111-102200	4000K	25°±2.5°	2700
	LB-AR111-104200		40°±1.5°	1650

• Warm White

Power Consumption	Part Number	CCT(Typ.)	Cone Beam Angle	Lux*@ 1m (Typ.)
10W	LB-AR111-102300	3000K	25°±2.5°	2400
	LB-AR111-104300		40°±1.5°	1400

Table 3: AR111 LED Lamp illuminance and beam angles

Notes:

1. Lux value is measured under thermal balanced condition. (i.e. after 1 hour continuous operation)
2. LED is a dynamic and constantly evolving technology. The final lux output of your AR111 LED Lamp may vary.
3. Input voltage = AC 12V

Light Patterns

• 25°

LB-AR111-102100 ○ 6000K



LB-AR111102200 ● 4000K



LB-AR111-102300 ● 3000K



• 40°

LB-AR111-104100 ○ 6000K



LB-AR111-104200 ● 4000K



LB-AR111-104300 ● 3000K



Figure 3: AR111 LED Lamp light patterns of different color temperature

Lifetime

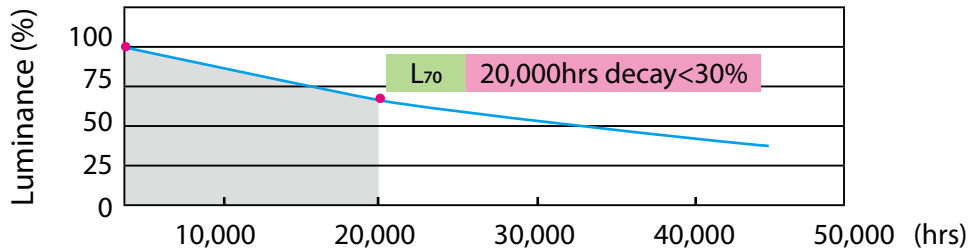


Table 4: AR111 LED Lamp Lifetime

Application Notes

The compact and integral design of the AR111 LED Lamp make it ideal for a wide variety of lighting applications, including retail store spotlight, ceiling downlight, as well as many other accent lightings.



Various color temperature and beam pattern options are suitable for an array of scenarios. AR111 LED Lamp also provides two colors of appearance, white and black for different needs.



Note : As part of its policy of continuous research and development, Ledion Lighting reserves the right to change or withdraw specifications without prior notice.