

URANO RANGE

COMPACT ASYMMETRICAL FLOODLIGHTS FOR OUTSIDE AND INSIDE



TECHNICAL CHARACTERISTICS

COMPLIANCE WITH STANDARDS

EN 60598-1 - EN 60598-2-5

MATERIALS AND FINISHINGS

Casing:	die-cast aluminium
Corrosion-proof treatment:	ALODINE 1200 [®] chromatic treatment
Painting:	polyester aluminium, graphite grey or white; graphite grey or white
Dishes:	in aluminium 99.85 polished and anodized
Shield:	tempered glass - impact resistance 8J
Seal:	silicone
Screws:	stainless steel

WIRING

Supply unit:	internal on galvanized steel plate
Lampholder:	ceramic
Supply terminal:	triple pole polyamide for cables section 2.5 mm ²
Cables:	flexible, silicone insulated with glass fibre braid
Cos φ	≥ 0.9

ACCESSORIES SUPPLIED

Bracket:	galvanized and painted steel
Cable gland:	polymer Pg 13.5 for cables Ø 6.5 - 11.5 mm
Packaging:	Cardboard

BEHAVIOUR WITH CHEMICAL AND CORROSIVE AGENTS*

Water	Sea air	Acids	Bases	Ketones	Spirits	Silicone oil	Oils/Greases	Petrol
Resistant	Limited resistance	Limited resistance	Limited resistance	Resistant	Resistant	Resistant	Resistant	Resistant

*Values referring to aluminium coated with polyester paint. For behaviour with other chemical agents, see the section "General technical information".

ATEX CLASSIFICATION FOR ARTICLES ON REQUEST

CE ϵ X II 3GD T2 IP55

URANO RANGE

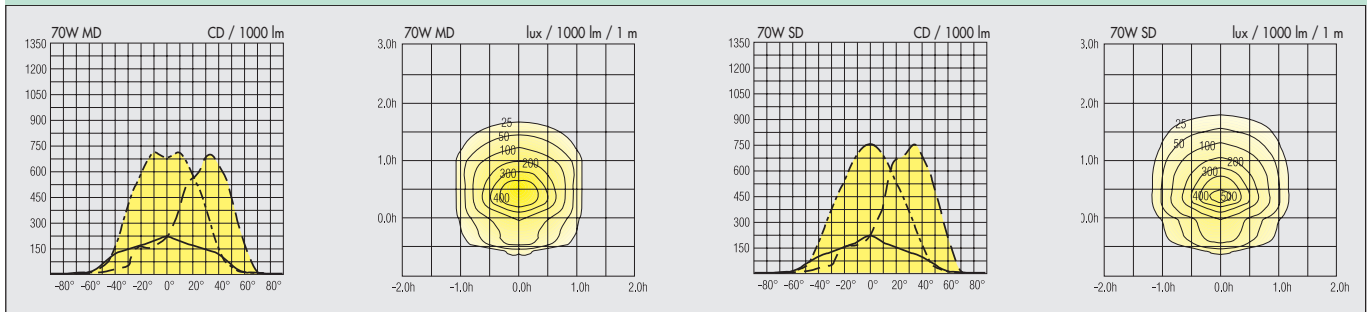
COMPACT ASYMMETRICAL FLOODLIGHTS FOR OUTSIDE AND INSIDE



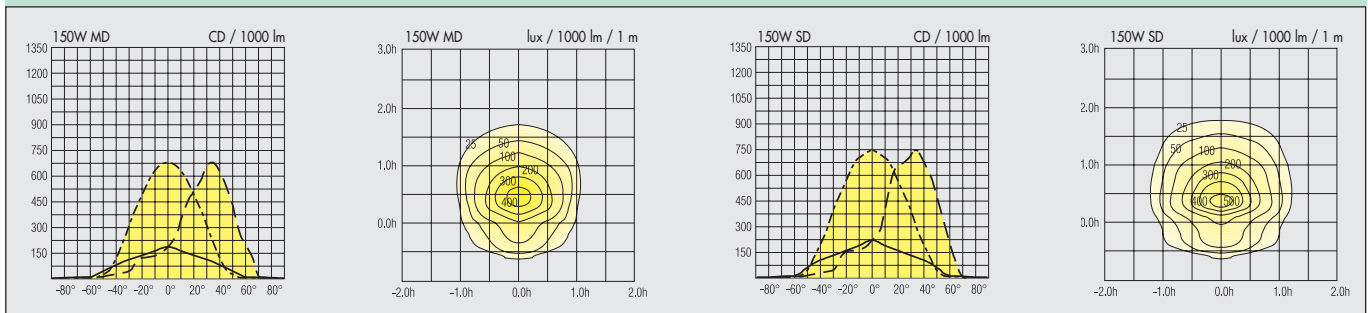
TECHNICAL CHARACTERISTICS

PHOTOMETRIC CURVES

URANO 70W MD - SD



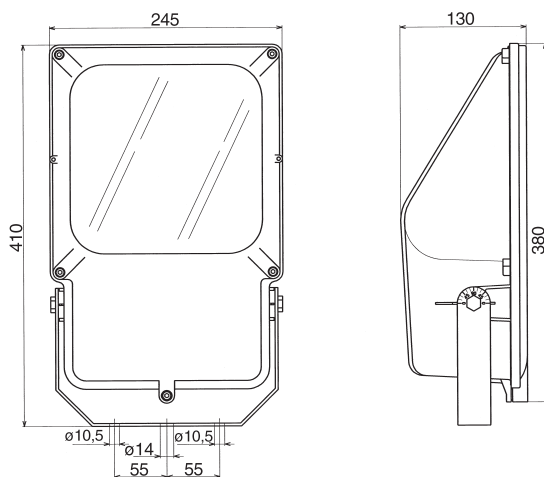
URANO 150W MD - SD



DIMENSION TABLES

URANO

Surface exposed to the wind: 0.094 m²



PROTECTIVE WIRE GUARD

