

# Place

## NEW URBAN LIGHTING

PLACE is the new system for the lighting of public and residential areas. Patented pole in extruded aluminium equipped with 6 vertical guides for fitting the globes with cut-off optics (meeting the requirements regarding light pollution) in any position along the pole.

Thanks to special accessories, various types of components, TV cameras, banners, direction signs, baskets etc. can be installed in the guides.

As an aesthetic finish a new base in aluminium has been created at the bottom of the pole. Particular attention has been paid to easy wiring of the globes, which can be done in a very quick and simple way and without drilling the pole.

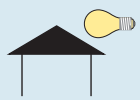


# PLACE RANGE

GLOBES FOR DECORATIVE LIGHTING IN AND URBAN AREAS

GEWISS

## CHARACTERISTICS AND ADVANTAGES

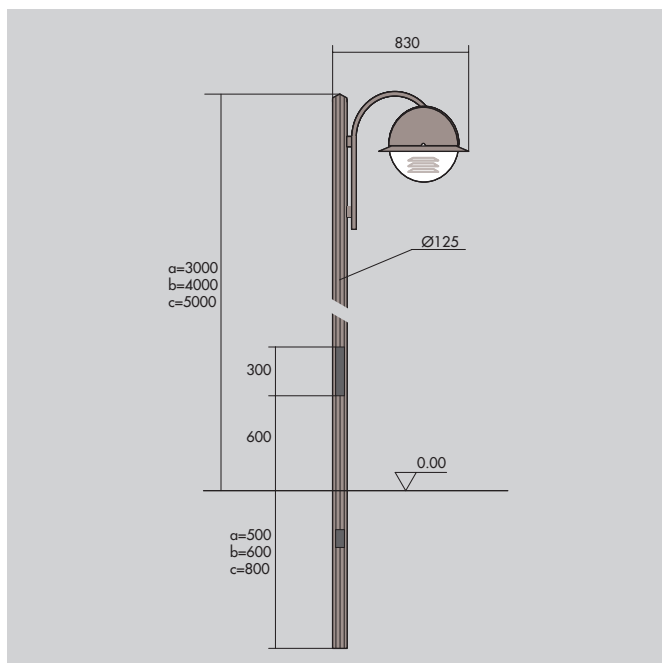


CE



### POLE MOUNTING FOR THE LIGHTING OF PARKS / SQUARES

PLACE RANGE



### POLE RANGE

Pole in extruded aluminium with 6slot profile and  $\varnothing 125$  mm. The range includes poles for height above ground of 3 m, 4 m and 5 m. All the poles are provided with slots for entry of buried cables.

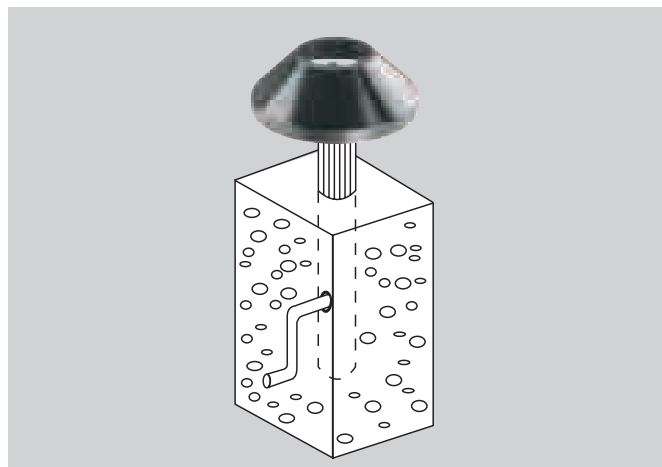
The poles come complete with connector block and fuse holder for optimizing inspection and wiring times.



## CHARACTERISTICS AND ADVANTAGES

### AESTHETIC BASE

The pole can be finished with an aesthetic base in turned aluminium that give the installation an attractive look studied with care down to the smallest detail.



PLACE RANGE

### CORROSION PROTECTION

To protect the integrity of the pole, Alodine 1200 chromate treatment is carried out before the painting.

The pole is painted using graphite grey polyester powders with a high level of resistance to chemical corrosion.



### MAXIMUM INSTALLATION VERSATILITY

Thanks to the special patented pole with 6 guides, the lighting elements can be installed in any position and changed, as they are not constrained by pre-established mechanical fixings.



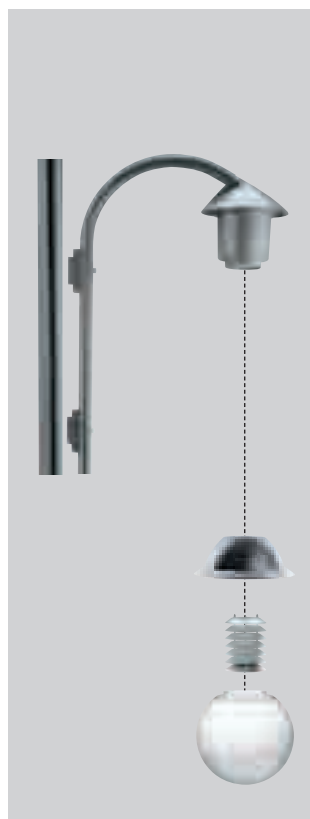
# PLACE RANGE

GLOBES FOR DECORATIVE LIGHTING IN AND URBAN AREAS

**GEWISS**

## CHARACTERISTICS AND ADVANTAGES

PLACE RANGE



### ◀ COMPOSITION OF THE KIT

To facilitate the product composition, already preconfigured kits comprising the following are supplied:

- Pole with curved arm;
- Wired and power-factor corrected base
- Couplings for pole;
- Prewired double-insulation power cable, length 8 m;
- Antiglare louvre, not included in versions with opal globe;
- Hood: to screen light dispersed towards the sky;
- Globe Ø 400 mm in various finishes according to the code chosen.

### ▶ MULTIFUNCTIONALITY

A universal block is provided for fixing any type of external elements to the pole.

This accessory can be locked in any position directly in the pole guides.



### MULTIPLE COMPOSITIONS

Choose the kit with required power and finish of the globes, and then order as many kits as the number of globes to be fitted on the pole. Complete the order by choosing the pole of required height and the relevant accessories.



# PLACE RANGE

GLOBES FOR DECORATIVE LIGHTING IN AND URBAN AREAS

## CHARACTERISTICS AND ADVANTAGES



### EASY CONNECTION TO THE MAINS POWER SUPPLY

To facilitate installation of the lighting elements, the double-insulation cable included in the KITS can be run along the guide in the pole thus avoiding having to drill it.

The power cable is also covered and protected with a special cut to size rubber profile.

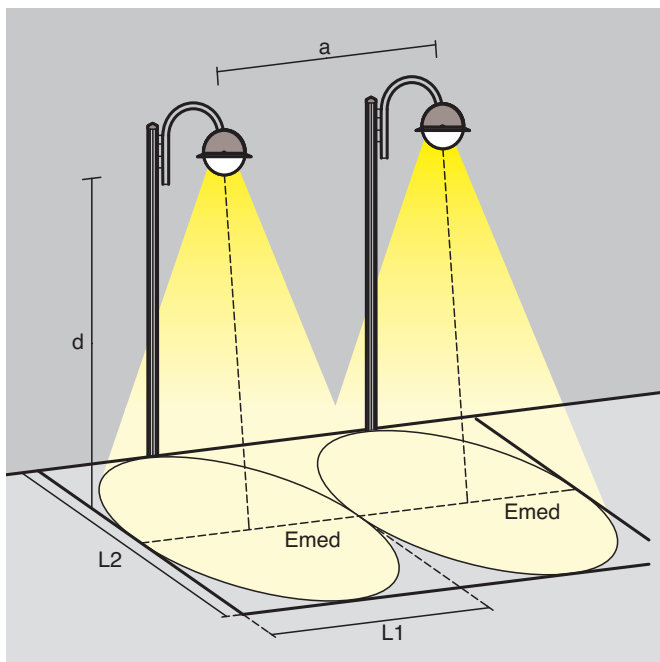
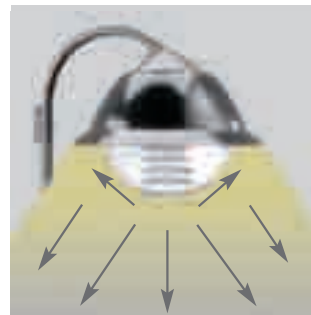
A connector block located under the pole terminal enables quick and easy wiring.

PLACE RANGE

### SCREENED LIGHTING

The top cover screens the light projected upwards and reflects the parts of the luminous flux that would otherwise be dispersed towards the sky.

Thanks to these characteristics, the product complies with the current light production regulations.



Power W	Installation height	L1xL2	E max.	E med.	Uniformity
70W SE	3	7x7	25	18	0.71
	4	8x8	20	14	0.7
	5	10x10	13	8	0.66
80W QE	3	7x7	18	13	0.72
	4	8x8	14	10	0.71
	5	10x10	9	6	0.66

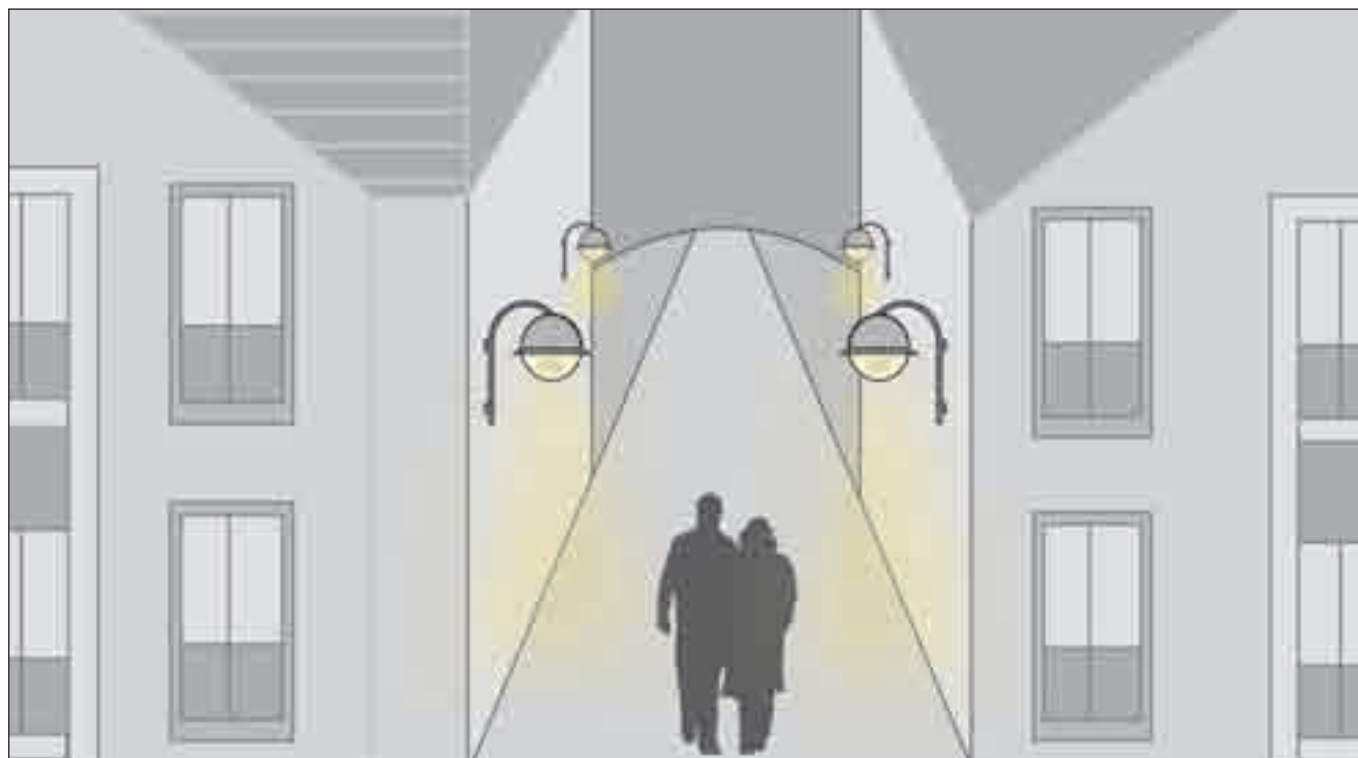
# PLACE RANGE

GLOBES FOR DECORATIVE LIGHTING IN AND URBAN AREAS

GEWISS

## CHARACTERISTICS AND ADVANTAGES

### SURFACE-MOUNTING FOR LIGHTING OF WALKWAYS



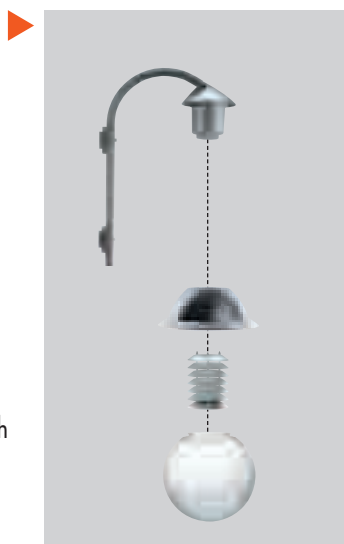
PLACE RANGE



◀ PLACE: DOWN LIGHT  
WALL-MOUNTING

### COMPOSITION OF THE KIT FOR DOWN LIGHT ILLUMINATION

- POLE WITH CURVED ARM AND COUPLINGS
- WIRED BASE:
  - for lamps 70W SE
  - for lamps 80W QE
  - for lamps Max 100W
  - for lamps Max 60W
- HOOD: for globes Ø 400 or Ø 300mm depending on the kit chosen
- ANTIGLARE: standard for all versions except those equipped with opal globe and globe diameter 300 mm
- GLOBE: in transparent, opal or smoke-grey finish



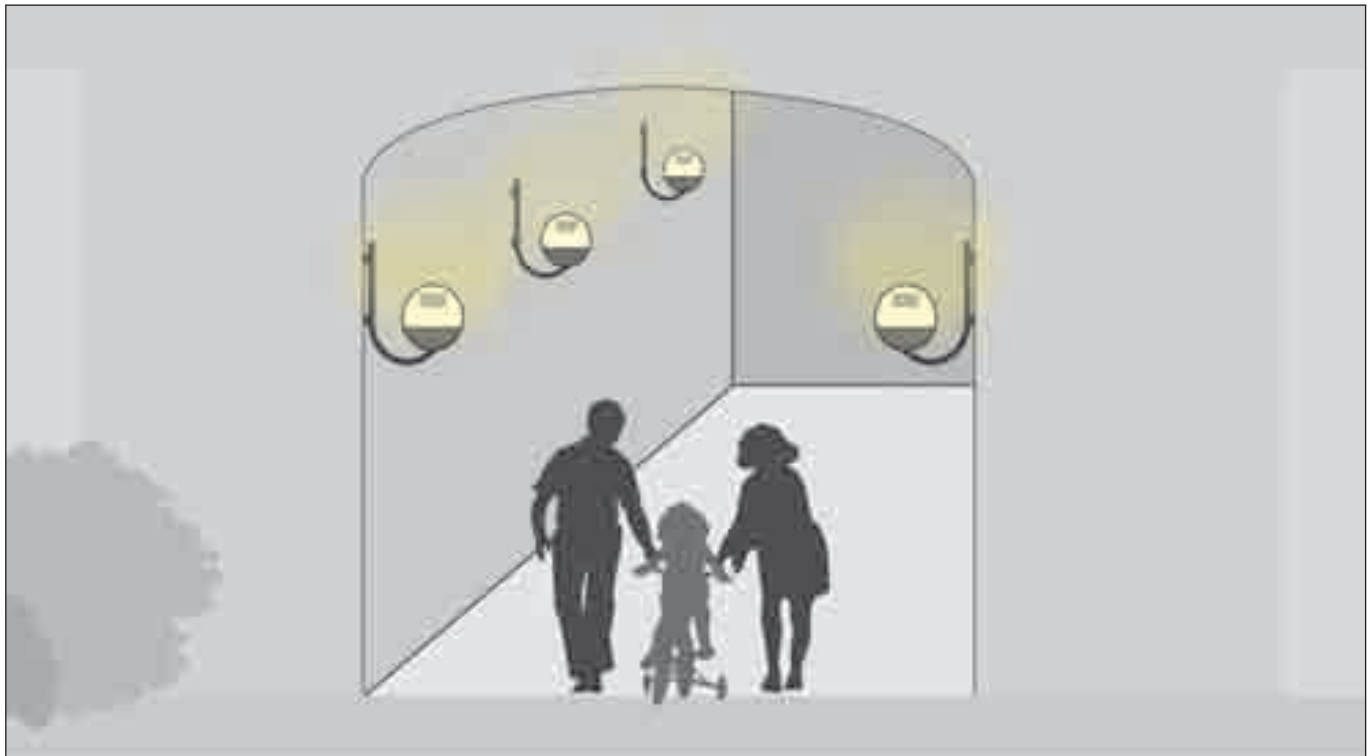
# PLACE RANGE

GLOBES FOR DECORATIVE LIGHTING IN AND URBAN AREAS

GEWISS

## CHARACTERISTICS AND ADVANTAGES

### WALL-MOUNTING FOR LIGHTING OF ARCADES OR SCREENED AREAS



PLACE RANGE



◀ PLACE: UP LIGHT  
WALL-MOUNTING

#### COMPOSITION OF THE KIT FOR UP LIGHT ILLUMINATION

- GLOBE: in transparent, opal or smoke-grey finish
- ANTIGLARE: standard for all versions except those equipped with opal globe and globe diameter 300 mm
- WIRED BASE
  - for lamps 70W SE
  - for lamps 80W QE
  - for lamps Max 100W
  - for lamps Max 60W
- POLE WITH CURVED ARM AND COUPLINGS

